

DBB

DHN-72R20/FS-625W

Full-Screen Single Glass PV Module

Comprehensive Products & System Certificates

IIEC 61215 / IEC 61730 / CE / INMETRO
ISO 45001
2018/International standards for occupational health & safety
ISO 14001
2015/Standards for environmental management system
ISO 9001
2015/Quality management system

 15 Material & technology warranty

 30 Linear power output warranty



No-Busbar(OBB) Technology, shorten 40% of the transmission distance.
Reduces losses & improving conversion efficiency



Frameless design, installable both vertically & horizontally,
No water, no dust, snow slide fast, power generation increased by 6-15%



Higher power, longer service life, linear power warranty for 30 years

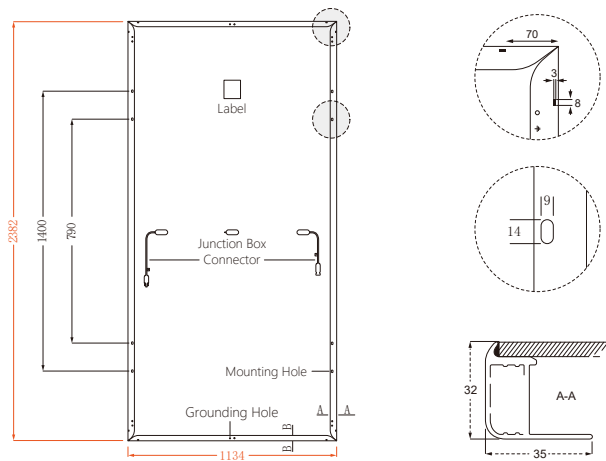


TOPCon cells, lower attenuation,
better temperature coefficient & dim light performance

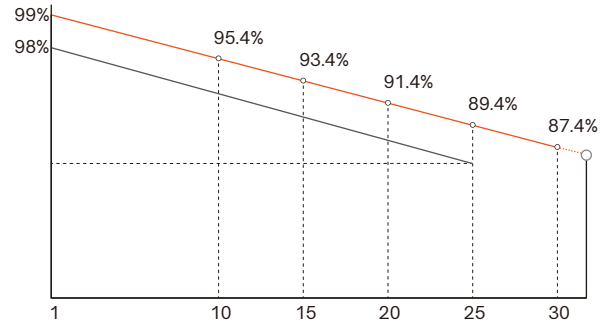


DHN-72R20/FS-625W

Design



30-Year Linear Power Output Warranty



- DAH Solar linear power output guarantee
- Standard linear power output guarantee

Mechanical Specification

No. of Cells	144 (6×24)
Weight	27.9kg
Cells Type	N-type 182×95.8mm
Dimension (L×W×T)	2382×1134×32mm
Packing	34pcs/Pallet, 680pcs/40HQ

Cable	4.0mm ² , 300/200mm in length, (including connector) length can be customized
Glass	3.2mm High Transmission, Antireflection Coating
Junction Box	IP68, 3 Bypass Diodes
Connector	PV5e, Changshu Friends Connector Technology Co., Ltd Customized Connectors

STC-Electrical Characteristics

Module Type	DHN-72R20/FS-625W
Maximum Power (P _{max} /W)	625
Open-circuit Voltage (V _{oc} /V)	53.0
Maximum Power Voltage (V _{mp} /V)	45.2
Short-circuit Current (I _{sc} /A)	14.90
Maximum Power Current (I _{mp} /A)	13.83
Module Efficiency (%)	23.14

STC-Standard Test Environment: Irradiance 1000W/m², Cell temperature 25°C, Spectrum AM1.5

Tolerance: P_{max}=±3%, V_{oc}=±3%, I_{sc}=±3%

NOCT-Electrical Characteristics

Maximum Power (P _{max} /W)	470
Open-circuit Voltage (V _{oc} /V)	50.4
Maximum Power Voltage (V _{mp} /V)	42.9
Short-circuit Current (I _{sc} /A)	12.03
Maximum Power Current (I _{mp} /A)	10.95

NOCT-Standard Test Environment: Irradiance 800W/m², Ambient temperature 20°C, Spectrum AM1.5, Wind speed 1m/s

Operating Parameters

Maximum System Voltage	1500V DC
Operating Temperature	-40 ~ +85°C
Maximum Series Fuse Rating	25A
Nominal Operating Cell Temperature	45°C±2°C
Application Level	Class A
Power sorting tolerance	0 ~ 5W

Temperature Coefficient

Temperature Coefficient of I _{sc} (αI _{sc})	0.046%/°C
Temperature Coefficient of V _{oc} (βV _{oc})	-0.25%/°C
Temperature Coefficient of P _{max} (γP _{mp})	-0.29%/°C
Fire class	CLASS C
Snow load, frontside / Wind load, backside	5400Pa/2400Pa